

## M500 DETECTORS BASE RANGE

### DESCRIPTION:

The range of bases M500Z allows adapting the entire line of detectors MIRA M500 to different installation requirements. Its ample interior space provides easy mounting and electrical connection.

Nickel-plated bronze double clip terminals and double faced connections ensures a high quality electrical contact with the detector

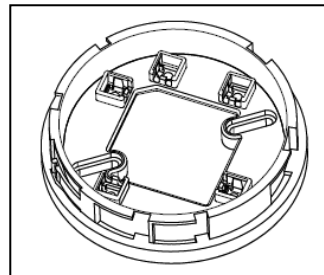
Fixing by turning 20 ° and lock removal

### AVAILABLE MODELS:

#### **M500Z- LOW PROFILE WITH 4+1 TERMINALS:**

Low profile base with electric terminals for zone wiring and remote indicator for general applications  
Fifth terminal for screen connection.

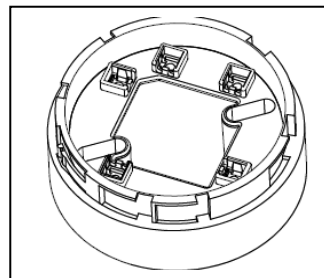
Dimensions: 100 x 8 mm (diameter x height)



#### **M500ZP- HIGH PROFILE WITH 3 TERMINALS:**

High profile base for surface wire installation in tube.  
Remote indicator and screen terminals not available.

Dimensions: 100 x 28 mm



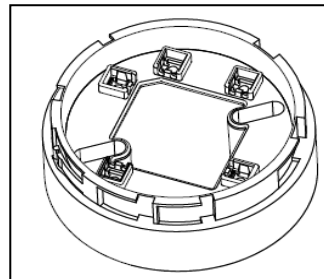
#### **M500ZA HIGH PROFILE WITH 4+1 TERMINALS**

High profile base with electric terminals for zone wiring and remote indicator, for general applications.

Suitable for surface wire installation in tube or when it is needed to expand the separation between the ceiling and the detector

Fifth terminal for screen connection.

Dimensions: 100 x 28 mm

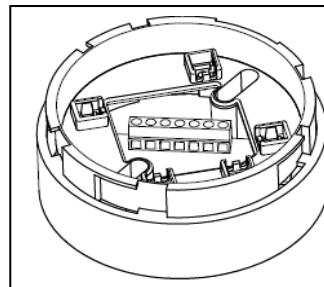


#### **M500ZR- HIGH PROFILE RELAY BASEE:**

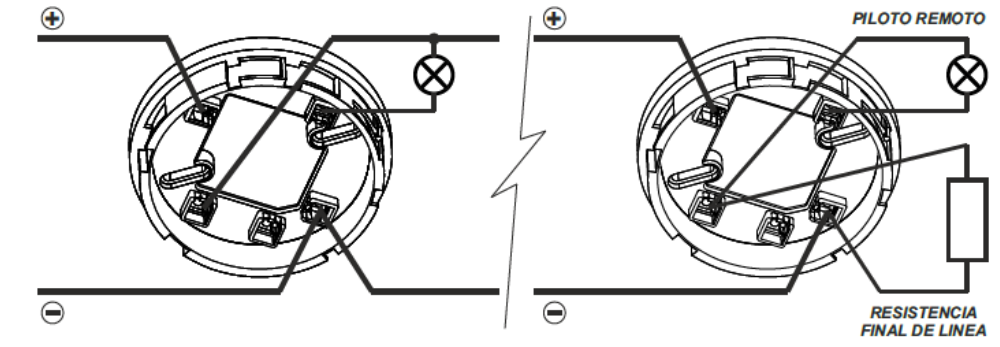
Relay Base has been designed to integrate the M500 detectors range into other 12V equipment, like intruder detection panels, demotic systems, etc.

12Vcc. supply

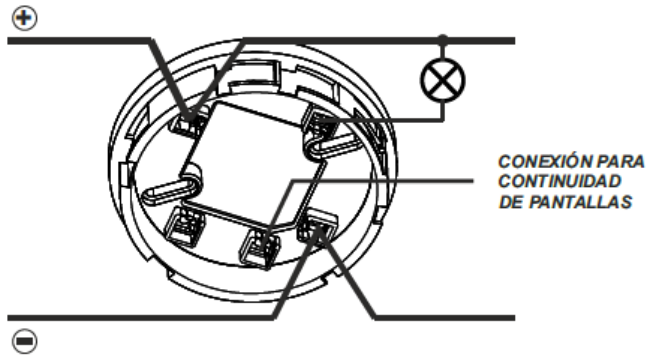
Dimensions: 100 x 28 mm



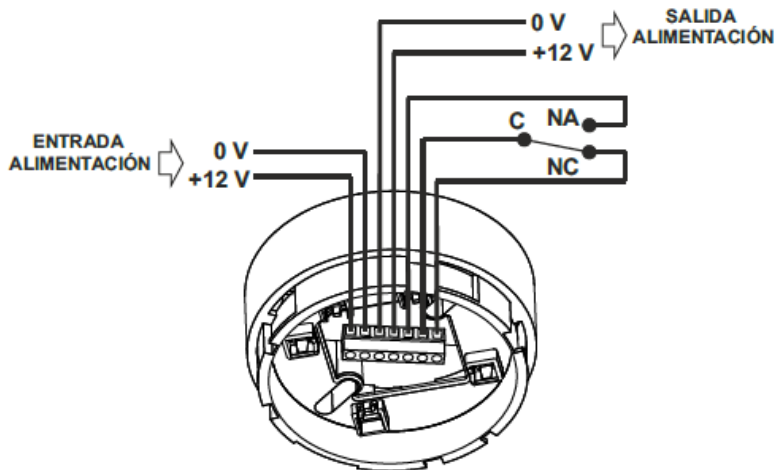
### CONVENTIONAL RANGE WIRING CONNECTION



### ADDRESSABLE RANGE WIRING CONNECTION



### RELAY BASE WIRING CONNECTION



### **BASE REMOVAL PROTECTION:**

To prevent the removal of the detectors, The bases could be blocked by cutting the extreme of the tongue in the side. The detector can be removed with the press of the tongue with a screwdriver, allowing to turn it off

